

- | | | | | | | | | | | | | | |
|------------------|------------------|----------------|------------------------|--------------------|-----------------------|----------------|---------------|---------------|---------------------------|--------------------------|-------------------------|--------------------------|--------------|
| 1x

n165/P | 1x

n165/L | 3x

b3 | 12x

l2 | 2x

L-236 m3 | 2x

φ4x30 mm p9 | 1x

n170 | 2x

a44 | 2x

b19 | 1x

LED (opcja) o1* | 4x

φ3,5x16 mm p51 | 15x

φ3x16 mm p55 | 4x

φ 6,3x13 mm e2 | 3x

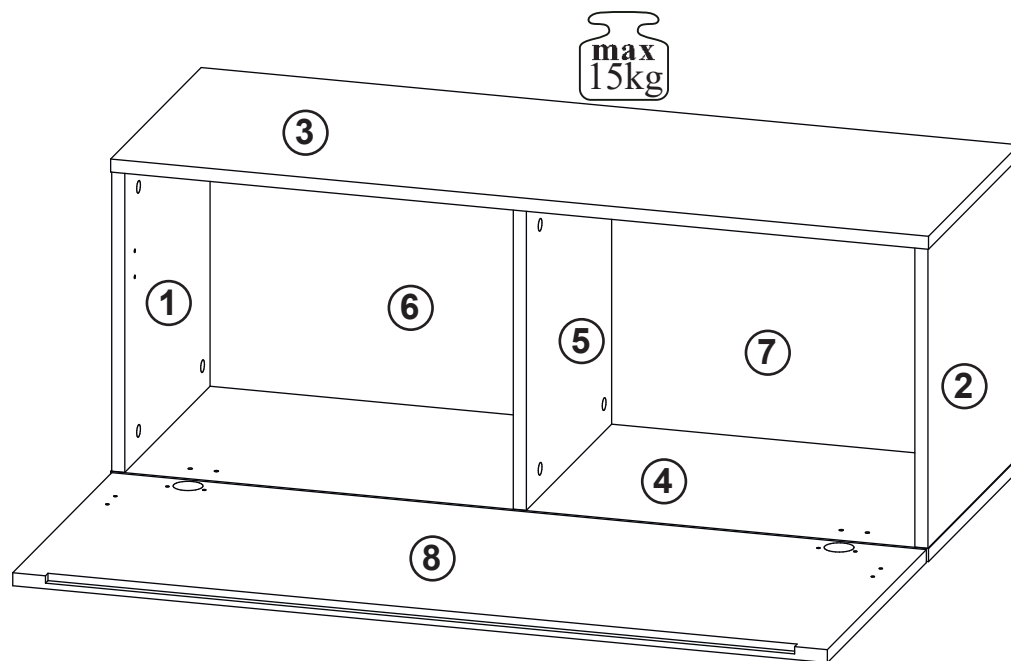
J1 |
| 12x

s2 | 12x

r1 | 12x

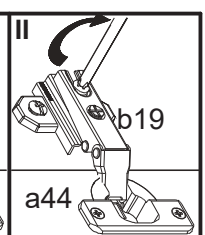
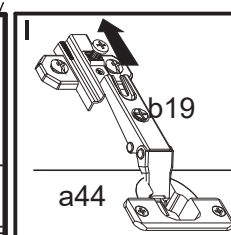
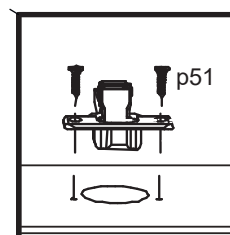
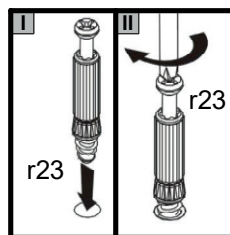
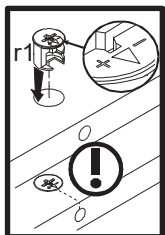
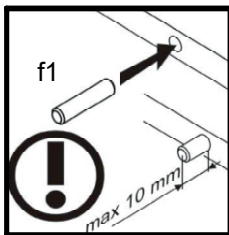
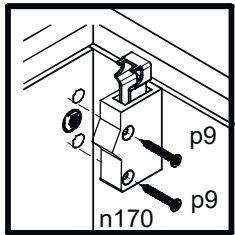
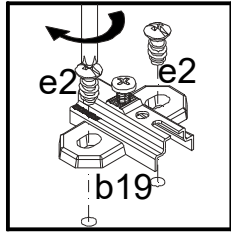
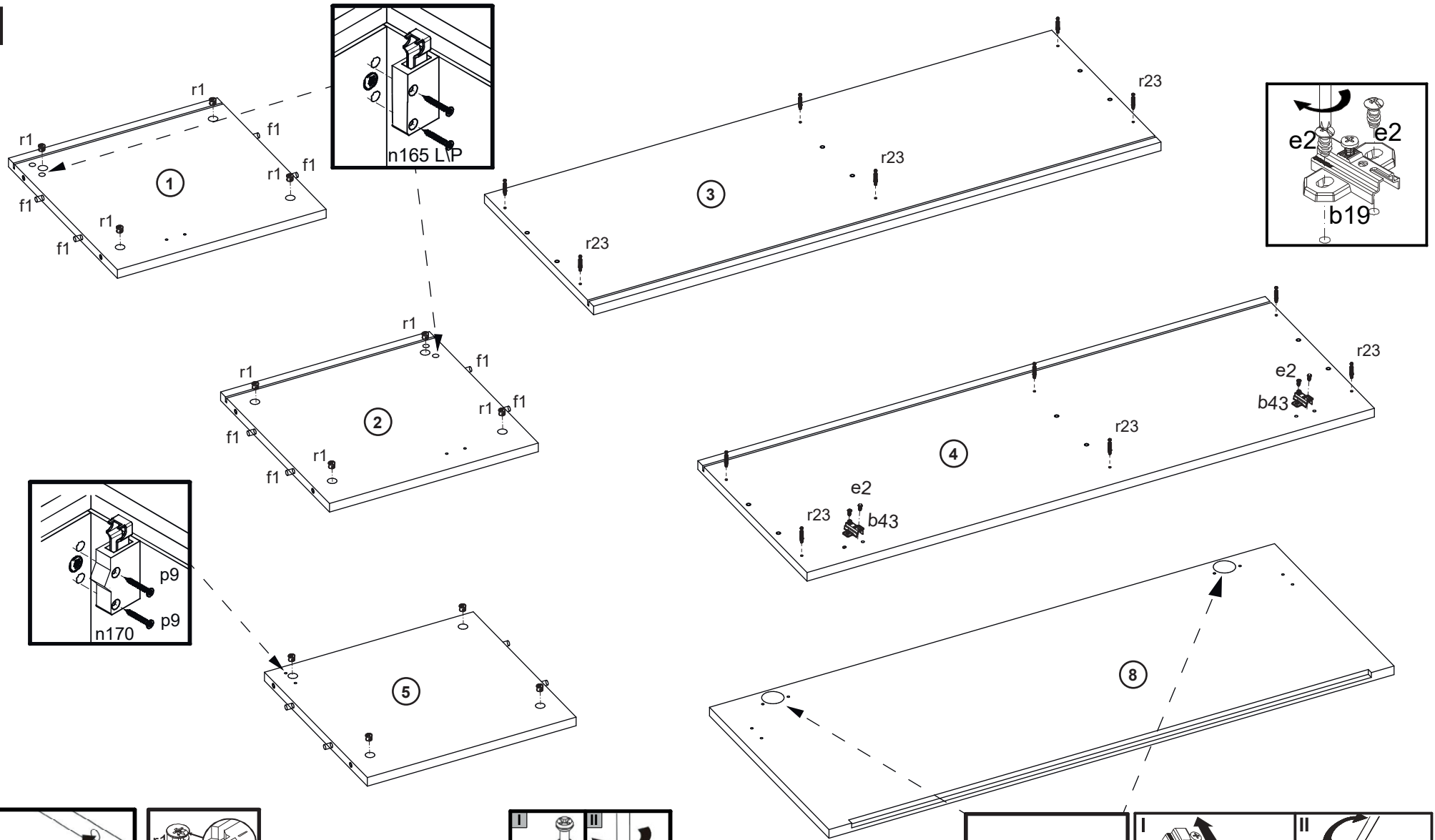
r23 | 12x

φ8x30 mm f1 | | | | | | | | | | |

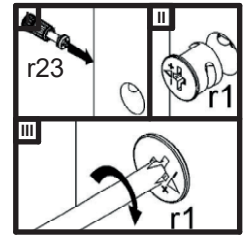
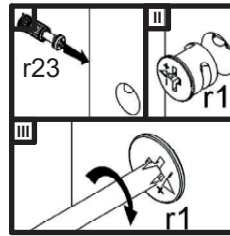
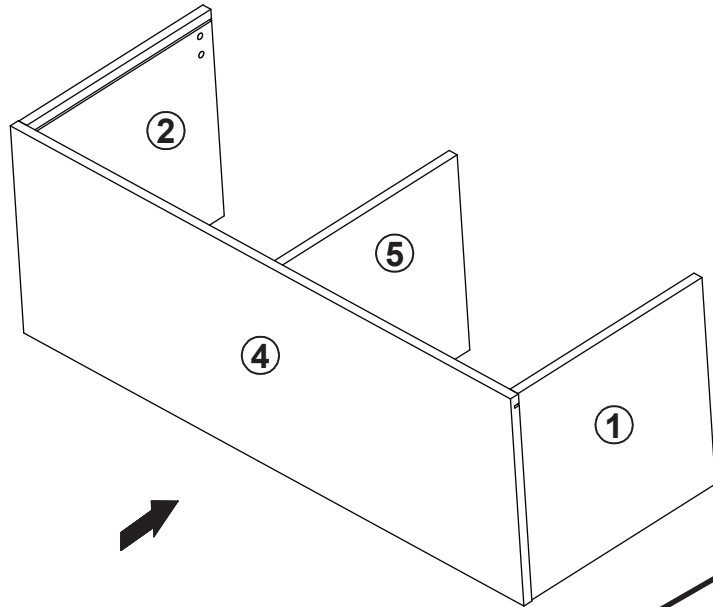


A	B	C	(mm)	Colli
1	001	368	361	1/1
2	002	368	361	1/1
3	003	1000	362	1/1
4	004	1000	362	1/1
5	005	368	341	1/1
6	006	382	490	1/1
7	007	382	490	1/1
8	008	996	396	1/1

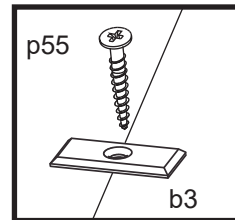
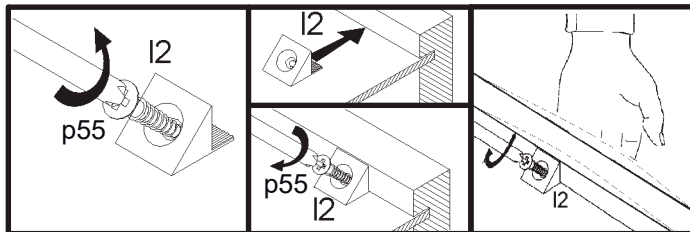
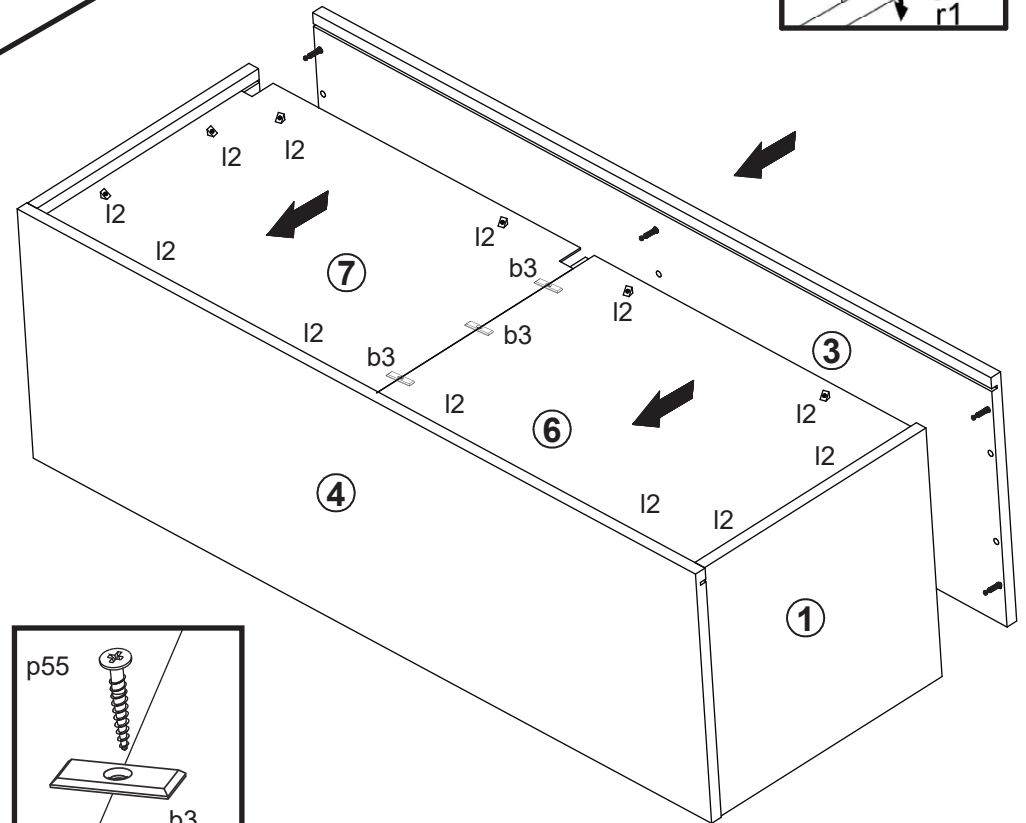
1



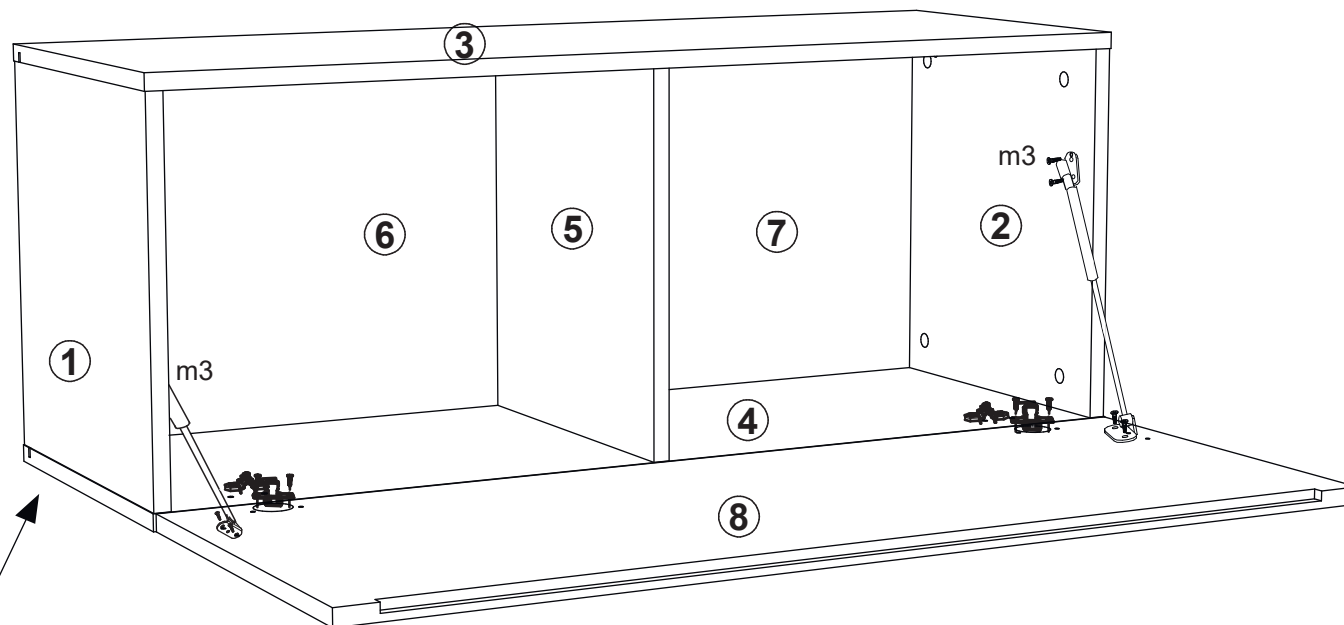
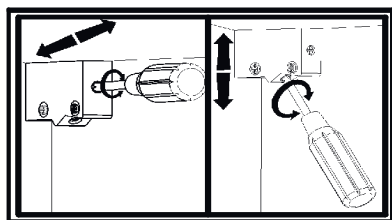
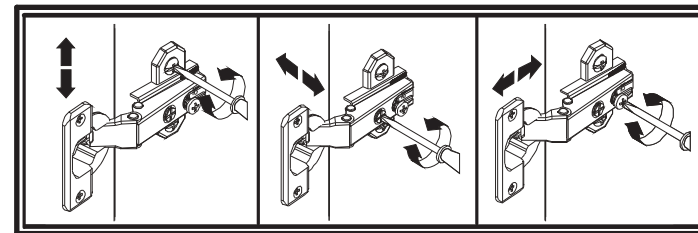
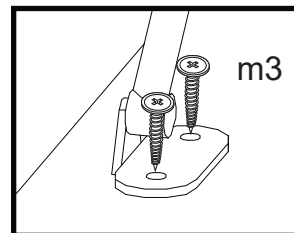
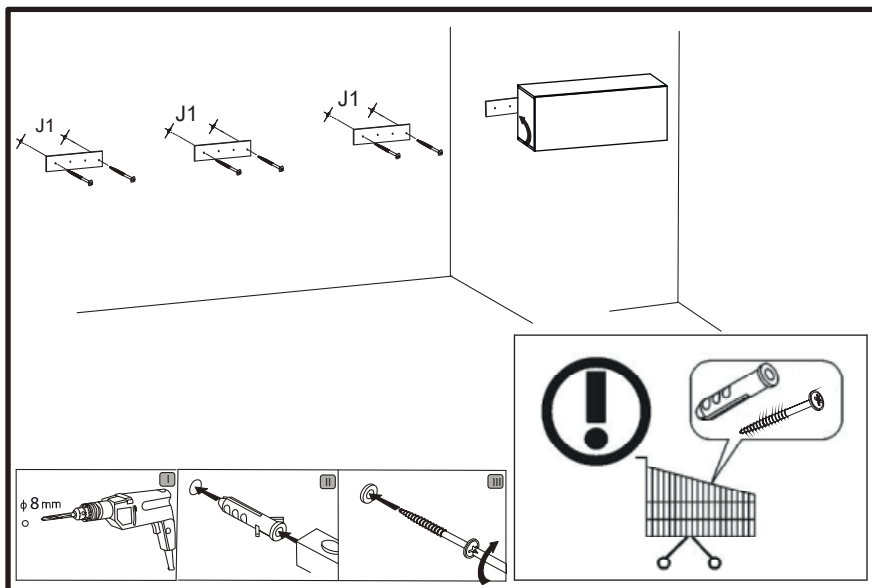
2



3



4



LED (opcja) 01*